

Memory Programming Specification

This document includes the programming specifications for the following devices:

- PIC16F630
- PIC16F676

1.0 PROGRAMMING THE PIC16F630/676

The PIC16F630/676 is programmed using a serial method. The Serial mode will allow the PIC16F630/676 to be programmed while in the user's system. This allows for increased design flexibility. This programming specification applies to PIC16F630/676 devices in all packages.

1.1 Hardware Requirements

The PIC16F630/676 requires one power supply for VDD (5.0V) and one for VPP (12V).

1.2 Programming Mode

The Programming mode for the PIC16F630/676 allows programming of user program memory, data memory, special locations used for ID, and the configuration word.

FIGURE 1-1: 14-PIN DIAGRAM FOR PIC16F630

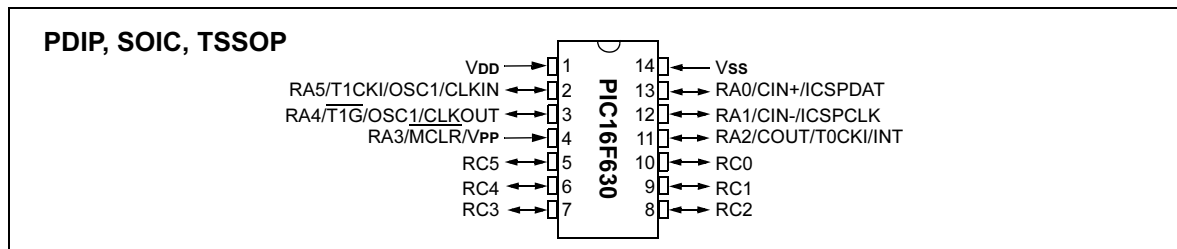
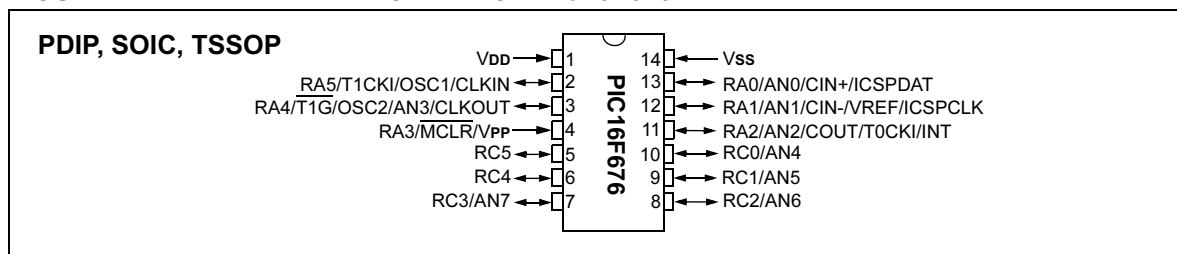


FIGURE 1-2: 14-PIN DIAGRAM FOR PIC16F676



PIC16F630/676

TABLE 1-1: PIN DESCRIPTIONS (DURING PROGRAMMING): PIC16F630/676

Pin Name	During Programming		
	Function	Pin Type	Pin Description
RA1	CLOCK	I	Clock input – Schmitt Trigger input
RA0	DATA	I/O	Data input/output – TTL input
$\overline{\text{MCLR}}$	Programming mode	P ⁽¹⁾	Program Mode Select
VDD	VDD	P	Power Supply
VSS	VSS	P	Ground

Legend: I = Input, O = Output, P = Power

Note 1: In the PIC16F630/676, the programming high voltage is internally generated. To activate the Programming mode, high voltage needs to be applied to $\overline{\text{MCLR}}$ input. Since the $\overline{\text{MCLR}}$ is used for a level source, this means that $\overline{\text{MCLR}}$ does not draw any significant current.

2.0 PROGRAM MODE ENTRY

2.1 User Program Memory Map

The user memory space extends from 0x0000 to 0x1FFF. In Programming mode, the program memory space extends from 0x0000 to 0x3FFF, with the first half (0x0000-0x1FFF) being user program memory and the second half (0x2000-0x3FFF) being configuration memory. The PC will increment from 0x0000 to 0x1FFF and wrap to 0x000, 0x2000 to 0x3FFF and wrap around to 0x2000 (not to 0x0000). Once in configuration memory, the highest bit of the PC stays a '1', thus always pointing to the configuration memory. The only way to point to user program memory is to RESET the part and re-enter Program/Verify mode as described in Section 2.3.

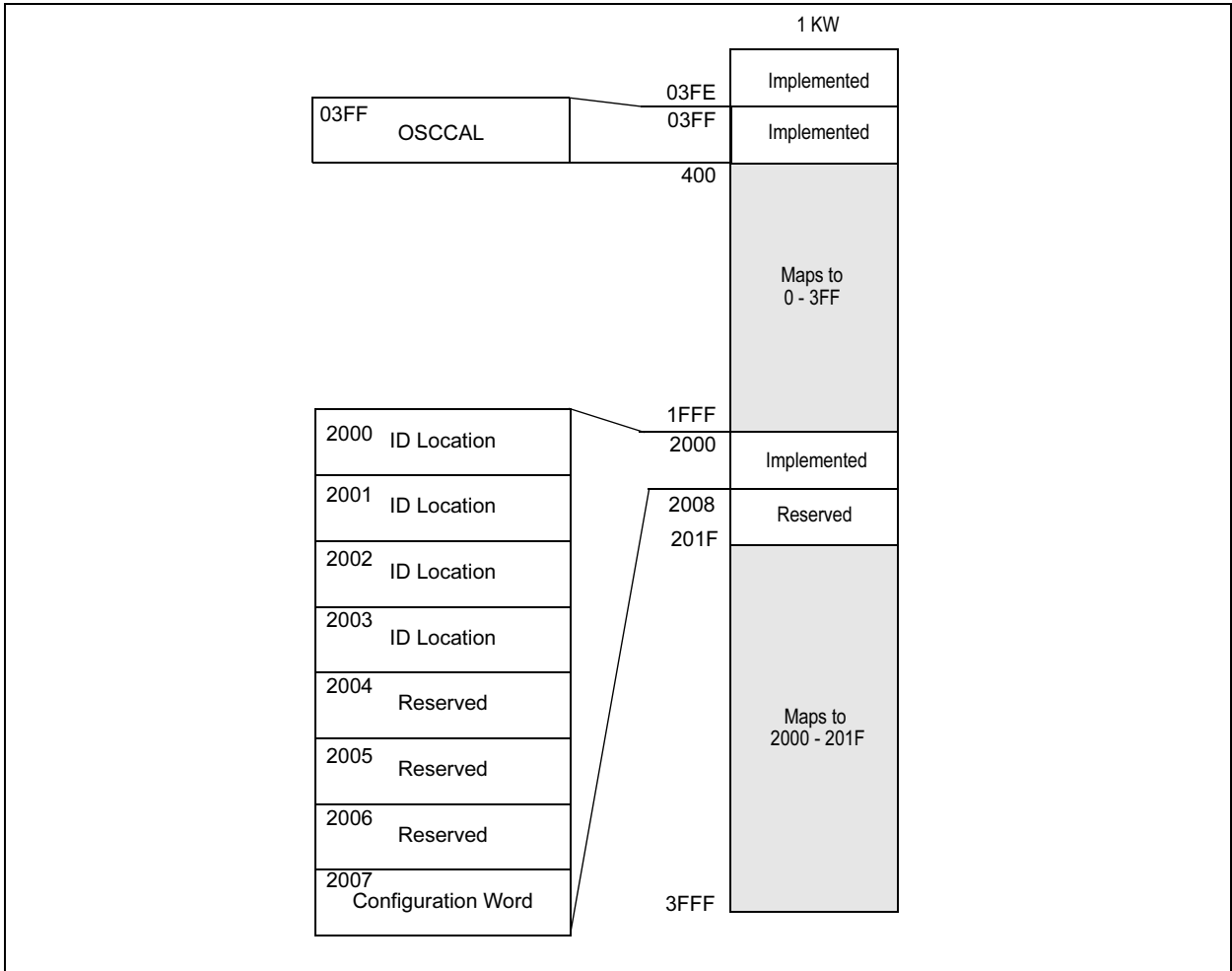
In the configuration memory space, 0x2000-0x201F are physically implemented. However, only locations 0x2000 through 0x2003, and 0x2007 are available. Other locations are reserved.

2.2 ID Locations

A user may store identification information (ID) in four ID locations. The ID locations are mapped in [0x2000: 0x2003]. It is recommended that the user use only the seven Least Significant bits (LSb) of each ID location. The ID locations read out normally, even after code protection is enabled. It is recommended that ID location is written as "xx xxxx xbbb bbbb" where 'bbb bbbb' is ID information.

The 14 bits may be programmed, but only the LSb's are displayed by MPLAB® IDE. xxxx's are "don't care" bits as they won't be read by MPLAB® IDE.

FIGURE 2-1: PROGRAM MEMORY MAPPING



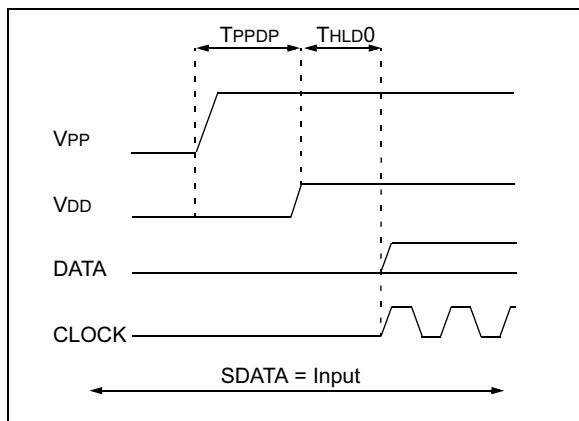
PIC16F630/676

2.3 Program/Verify Mode

The Program/Verify mode is entered by holding pins clock and data low while raising MCLR pin from V_{IL} to V_{IHH} (high voltage). Apply V_{DD} and data. Once in this mode, the user program memory, data memory and the configuration memory can be accessed and programmed in serial fashion. Clock is Schmitt Trigger and data is TTL input in this mode. RA4 is tristate, regardless of fuse setting.

The sequence that enters the device into the Programming/Verify mode places all other logic into the RESET state (the MCLR pin was initially at V_{IL}). This means that all I/O are in the RESET state (hi-impedance inputs).

FIGURE 2-2: ENTERING HIGH VOLTAGE PROGRAM/VERIFY MODE



The normal sequence for programming is to use the Load Data command to set a value to be written at the selected address. Issue the Begin Programming command followed by Read Data command to verify and then increment the address.

A device RESET will clear the PC and set the address to '0'. The Increment Address command will increment the PC. The Load Configuration command will set the PC to 0x2000. The available commands are shown in Table 2-1.

2.3.1 SERIAL PROGRAM/VERIFY OPERATION

The clock pin is used as a clock input pin and the data pin is used for entering command bits and data input/output during serial operation. To input a command, the clock pin (CLOCK) is cycled six times. Each command bit is latched on the falling edge of the clock with the LSb of the command being input first. The data on pin DATA is required to have a minimum setup and hold time (see AC/DC specifications), with respect to the falling edge of the clock. Commands that have data associated with them (read and load) are specified to have a minimum delay of 1 μ s between the command and the data. After this delay, the clock pin is cycled 16 times with the first cycle being a START bit and the last cycle being a STOP bit. Data is also input and output LSb first.

Therefore, during a read operation, the LSb will be transmitted onto pin DATA on the rising edge of the second cycle and, during a load operation, the LSb will be latched on the falling edge of the second cycle. A minimum 1 μ s delay is also specified between consecutive commands.

All commands are transmitted LSb first. Data words are also transmitted LSb first. The data is transmitted on the rising edge and latched on the falling edge of the clock. To allow for decoding of commands and reversal of data pin configuration, a time separation of at least 1 μ s is required between a command and a data word (or another command).

The commands that are available are described below in Table 2-1.

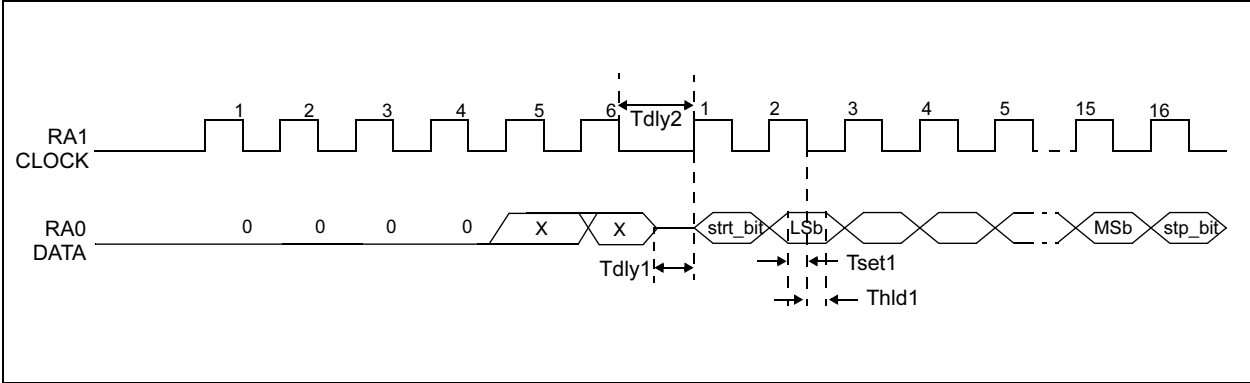
TABLE 2-1: COMMAND MAPPING FOR PIC16F630/676

Command	Mapping (MSb ... LSb)						Data
Load Configuration	x	x	0	0	0	0	0, data (14), 0
Load Data For Program Memory	x	x	0	0	1	0	0, data (14), 0
Load Data For Data Memory	x	x	0	0	1	1	0, data (8), zero (6), 0
Read Data From Program Memory	x	x	0	1	0	0	0, data (14), 0
Read Data From Data Memory	x	x	0	1	0	1	0, data (8), zero (6), 0
Increment Address	x	x	0	1	1	0	
BEGIN PROGRAMMING	0	0	1	0	0	0	Internally Timed
BEGIN PROGRAMMING	0	1	1	0	0	0	Externally Timed
END PROGRAMMING	0	0	1	0	1	0	
BULK ERASE PROGRAM MEMORY	X	X	1	0	0	1	Internally Timed
BULK ERASE DATA MEMORY	X	X	1	0	1	1	Internally Timed

2.3.1.1 LOAD CONFIGURATION

After receiving this command, the program counter (PC) will be set to 0x2000. Then, by applying 16 cycles to the clock pin, the chip will load 14 bits in a “data word,” as described above, which will be programmed into the configuration memory. A description of the memory mapping schemes of the program memory for normal operation and Configuration mode operation is shown in Figure 2-3. After the configuration memory is entered, the only way to get back to the user program memory is to exit the Program/Verify mode by taking MCLR low (VIL).

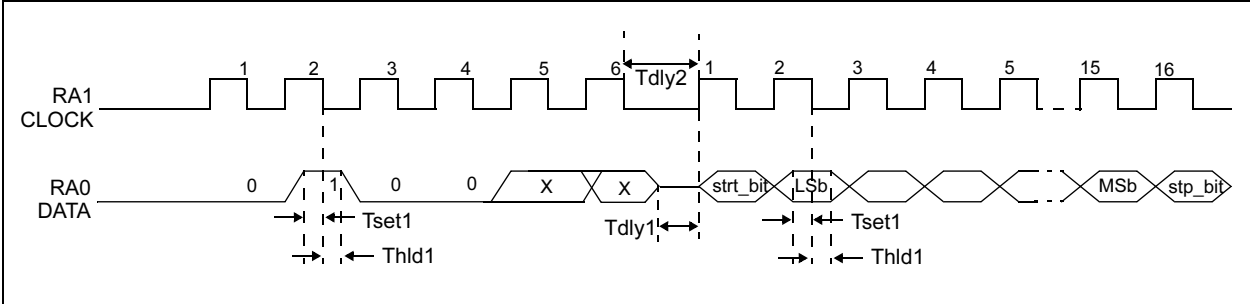
FIGURE 2-3: LOAD CONFIGURATION COMMAND



2.3.1.2 LOAD DATA FOR PROGRAM MEMORY

After receiving this command, the chip will load in a 14-bit “data word” when 16 cycles are applied, as described previously. A timing diagram for the Load Data command is shown in Figure 2-4.

FIGURE 2-4: LOAD DATA FOR PROGRAM MEMORY COMMAND

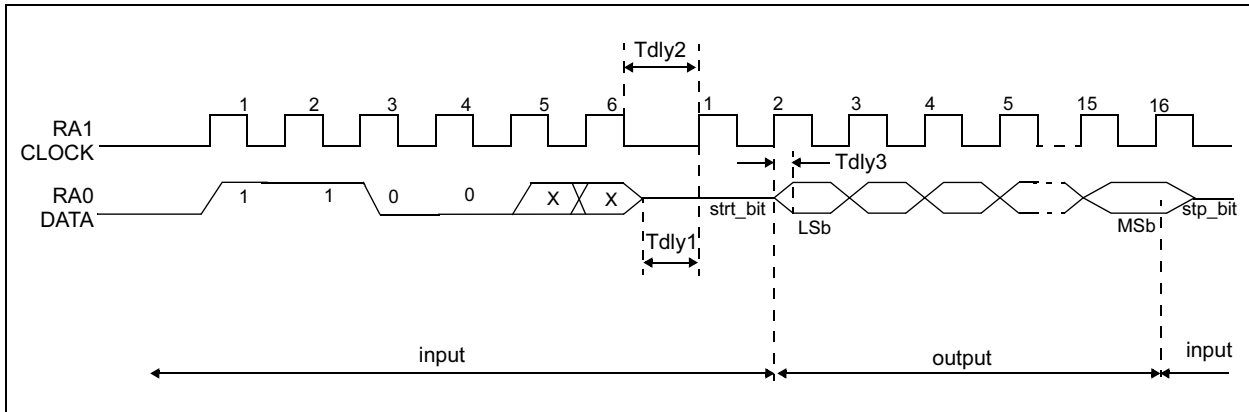


PIC16F630/676

2.3.1.3 LOAD DATA FOR DATA MEMORY

After receiving this command, the chip will load in a 14-bit “data word” when 16 cycles are applied. However, the data memory is only 8-bits wide and thus, only the first 8 bits of data after the START bit will be programmed into the data memory. It is still necessary to cycle the clock the full 16 cycles in order to allow the internal circuitry to RESET properly. The data memory contains 128 bytes. Only the lower 8 bits of the PC are decoded by the data memory, and therefore, if the PC is greater than 0x7F, it will wrap around and address a location within the physically implemented memory.

FIGURE 2-5: LOAD DATA FOR DATA MEMORY COMMAND

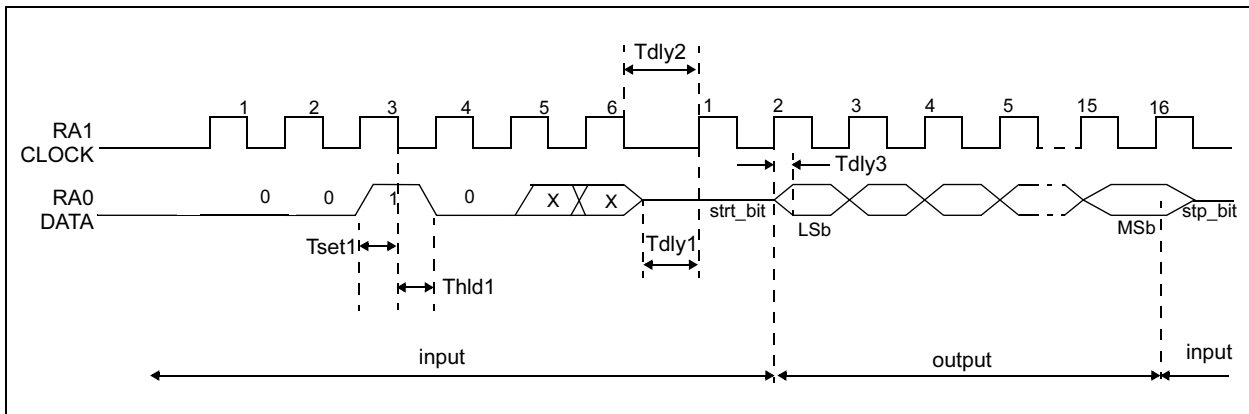


2.3.1.4 READ DATA FROM PROGRAM MEMORY

After receiving this command, the chip will transmit data bits out of the program memory (user or configuration) currently accessed, starting with the second rising edge of the clock input. The data pin will go into Output mode on the second rising clock edge, and it will revert to Input mode (hi-impedance) after the 16th rising edge.

If the program memory is code protected ($\overline{CP} = 0$), the data is read as zeros.

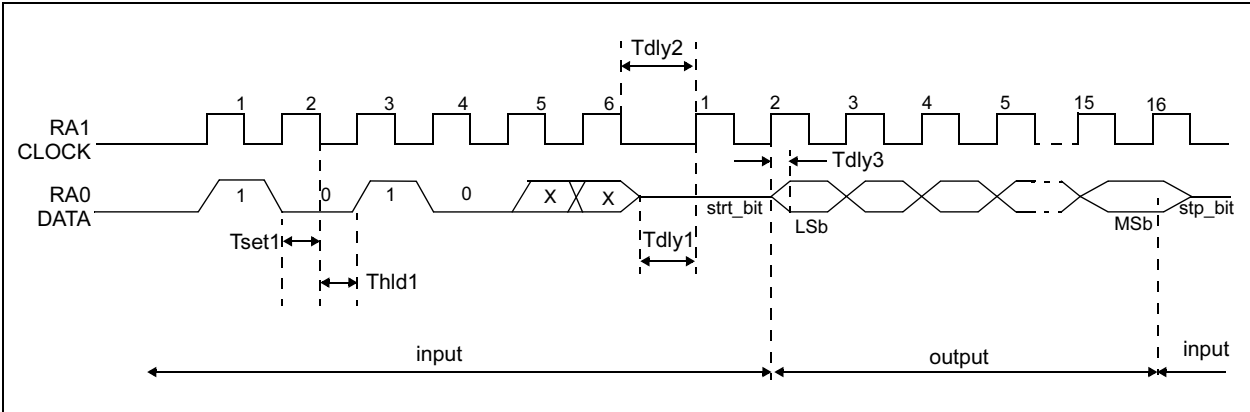
FIGURE 2-6: READ DATA FROM PROGRAM MEMORY COMMAND



2.3.1.5 READ DATA FROM DATA MEMORY

After receiving this command, the chip will transmit data bits out of the data memory starting with the second rising edge of the clock input. The data pin will go into Output mode on the second rising edge, and it will revert to Input mode (hi-impedance) after the 16th rising edge. As previously stated, the data memory is 8-bits wide, and therefore, only the first 8 bits that are output are actual data. If the data memory is code protected, the data is read as all zeros. A timing diagram of this command is shown in Figure 2-7.

FIGURE 2-7: READ DATA FROM DATA MEMORY COMMAND

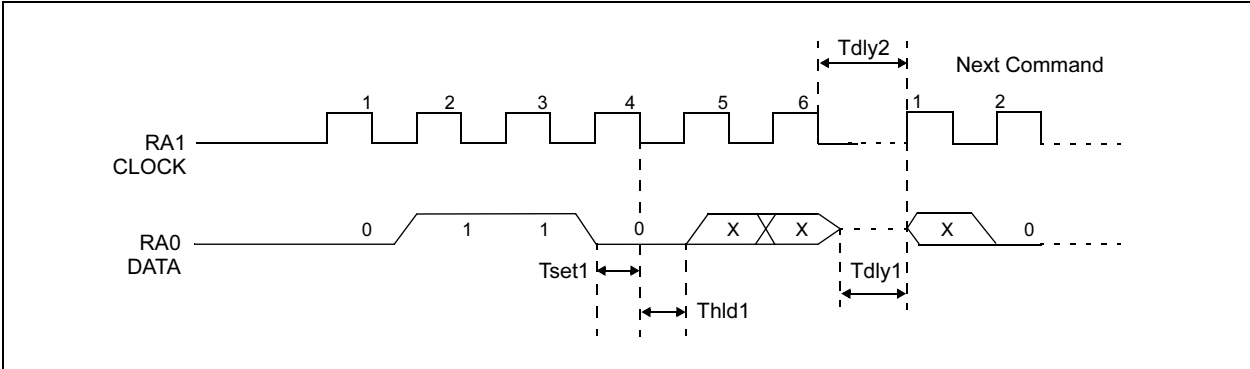


2.3.1.6 INCREMENT ADDRESS

The PC is incremented when this command is received. A timing diagram of this command is shown in Figure 2-8.

It is not possible to decrement the address counter. To RESET this counter, the user should exit and re-enter Programming mode.

FIGURE 2-8: INCREMENT ADDRESS COMMAND (PROGRAM/VERIFY)



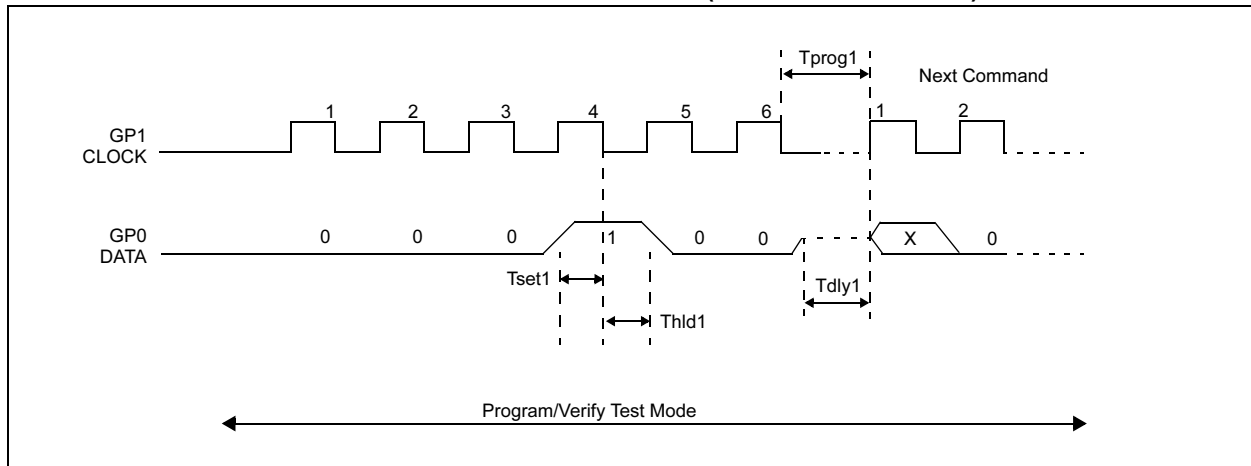
PIC16F630/676

2.3.1.7 BEGIN PROGRAMMING (Internally Timed)

A load command must be given before every BEGIN PROGRAMMING command. Programming of the appropriate memory (user program memory or data memory) will begin after this command is received and decoded. An internal timing mechanism executes a write. The user must allow for program cycle time for programming to complete. No END PROGRAMMING command is required.

When programming data memory, the byte being addressed is erased before being programmed.

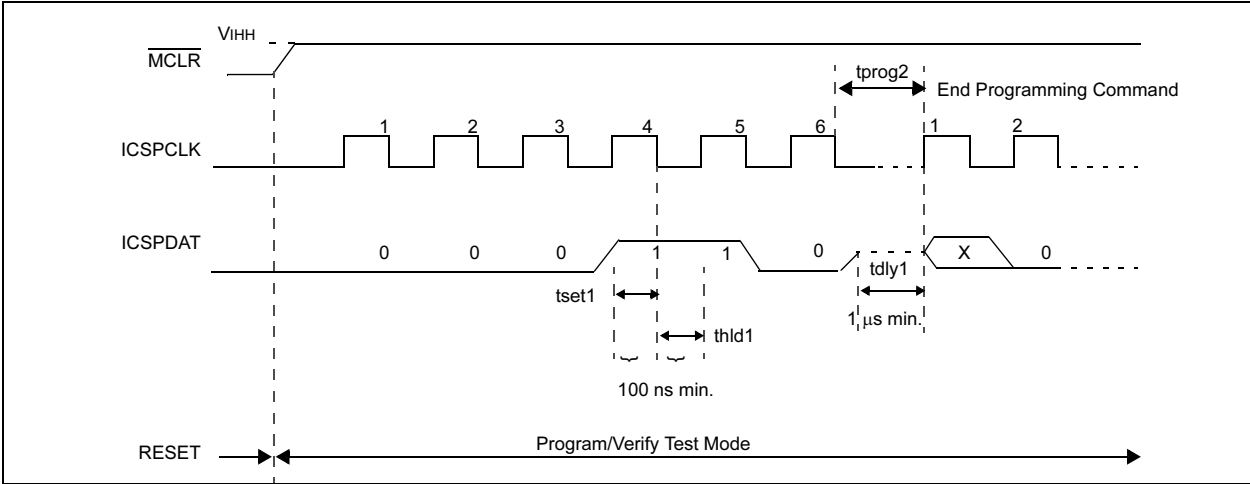
FIGURE 2-9: BEGIN PROGRAMMING COMMAND (INTERNALLY TIMED)



2.3.1.8 BEGIN PROGRAMMING (Externally Timed)

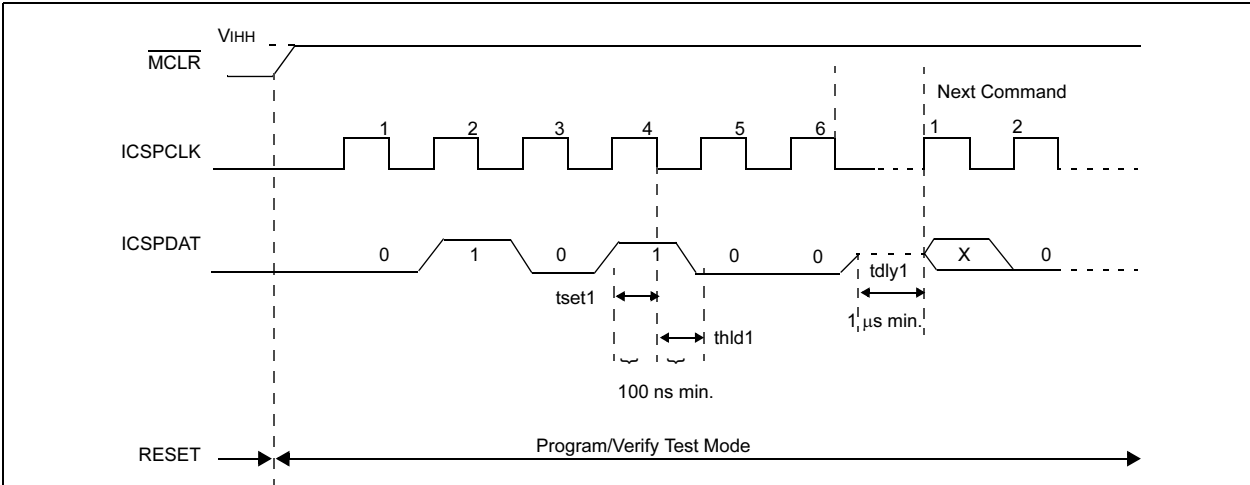
A load command must be given before every BEGIN PROGRAMMING command. Programming of the appropriate memory (user program memory or data memory) will begin after this command is received and decoded. Programming requires (t_{prog2}) time and is terminated using an END PROGRAMMING command. This command programs the current location, no erase is performed.

FIGURE 2-10: BEGIN PROGRAMMING (EXTERNALLY TIMED)



2.3.1.9 End Programming

FIGURE 2-11: END PROGRAMMING (SERIAL PROGRAM/VERIFY)



PIC16F630/676

2.3.1.10 BULK ERASE PROGRAM MEMORY

After this command is performed and calibration bits are erased, the entire program memory is erased. If data is code protected, data memory will also be erased.

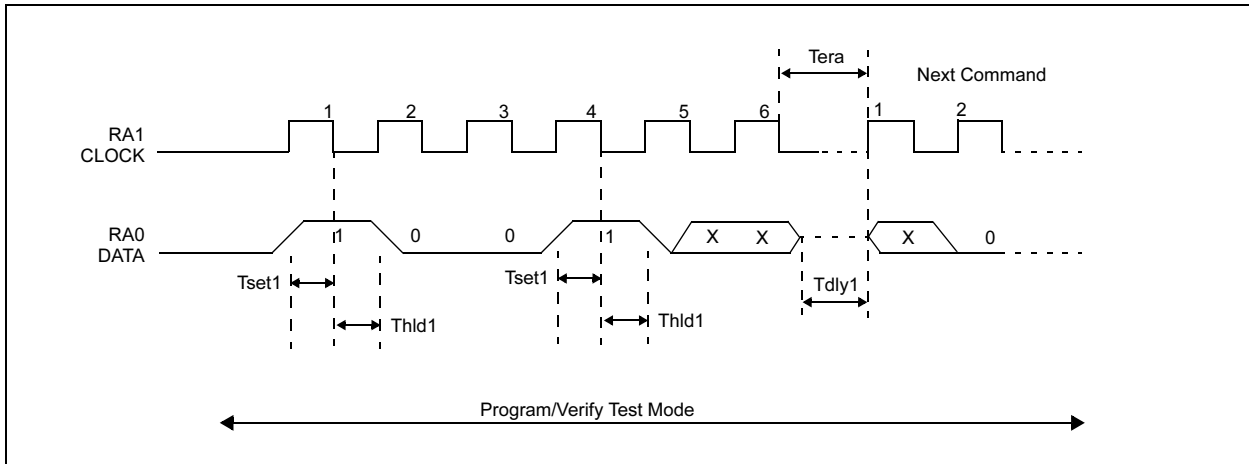
Note: The OSCCAL word and BG bits must be read prior to erasing the device and restored during the programming operation. OSCCAL is at location 0x3FF and the BG bits are bits 12 and 13 of the configuration word (0x2007).

To perform a bulk erase of the program memory, the following sequence must be performed.

1. Read OSCCAL 0x3FF.
2. Read configuration word.
3. Do a Bulk Erase Program Memory command.
4. Wait Tera to complete bulk erase.

If the address is pointing to the ID/configuration program memory (0x2000 - 0x201F), then both the user memory and the ID locations will be erased.

FIGURE 2-12: BULK ERASE PROGRAM MEMORY COMMAND



2.3.1.11 BULK ERASE DATA MEMORY

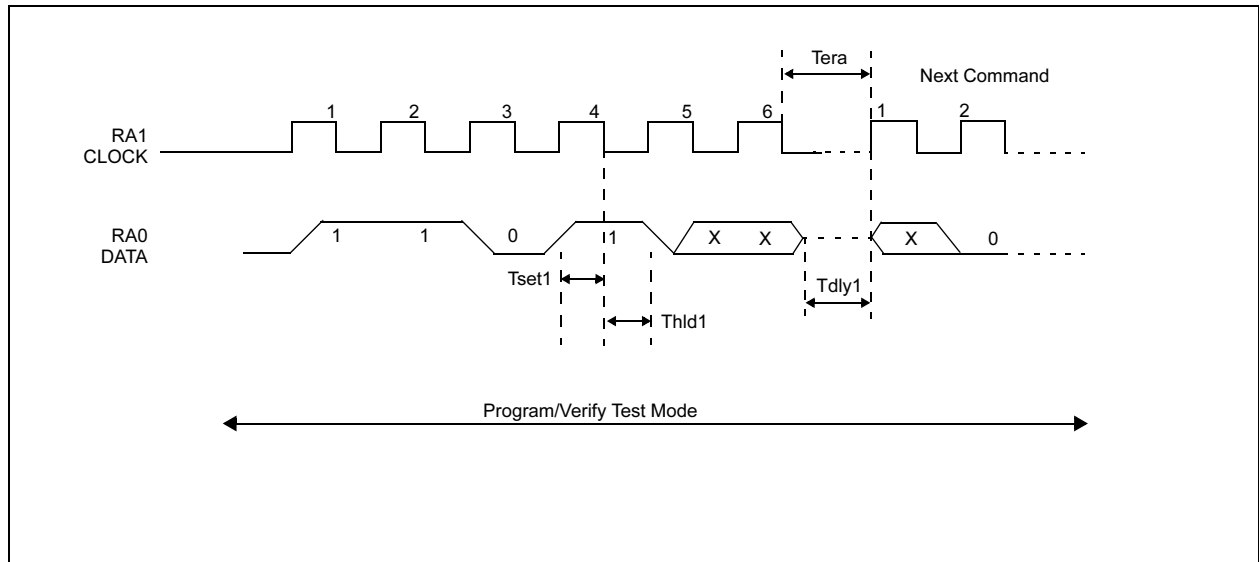
To perform a bulk erase of the data memory, the following sequence must be performed.

1. Do a Bulk Erase Data Memory command.
2. Wait Tera to complete bulk erase.

Data memory won't erase if code protected ($\overline{\text{CPD}} = 0$).

Note: All BULK ERASE operations must take place at 4.5V to 5.5V V_{DD} range for PIC16F676 devices and 2.0V to 5.5V V_{DD} for PIC16F676-ICD devices.

FIGURE 2-13: BULK ERASE DATA MEMORY COMMAND



PIC16F630/676

FIGURE 2-14: PROGRAM FLOW CHART - PIC16F630/676 PROGRAM MEMORY

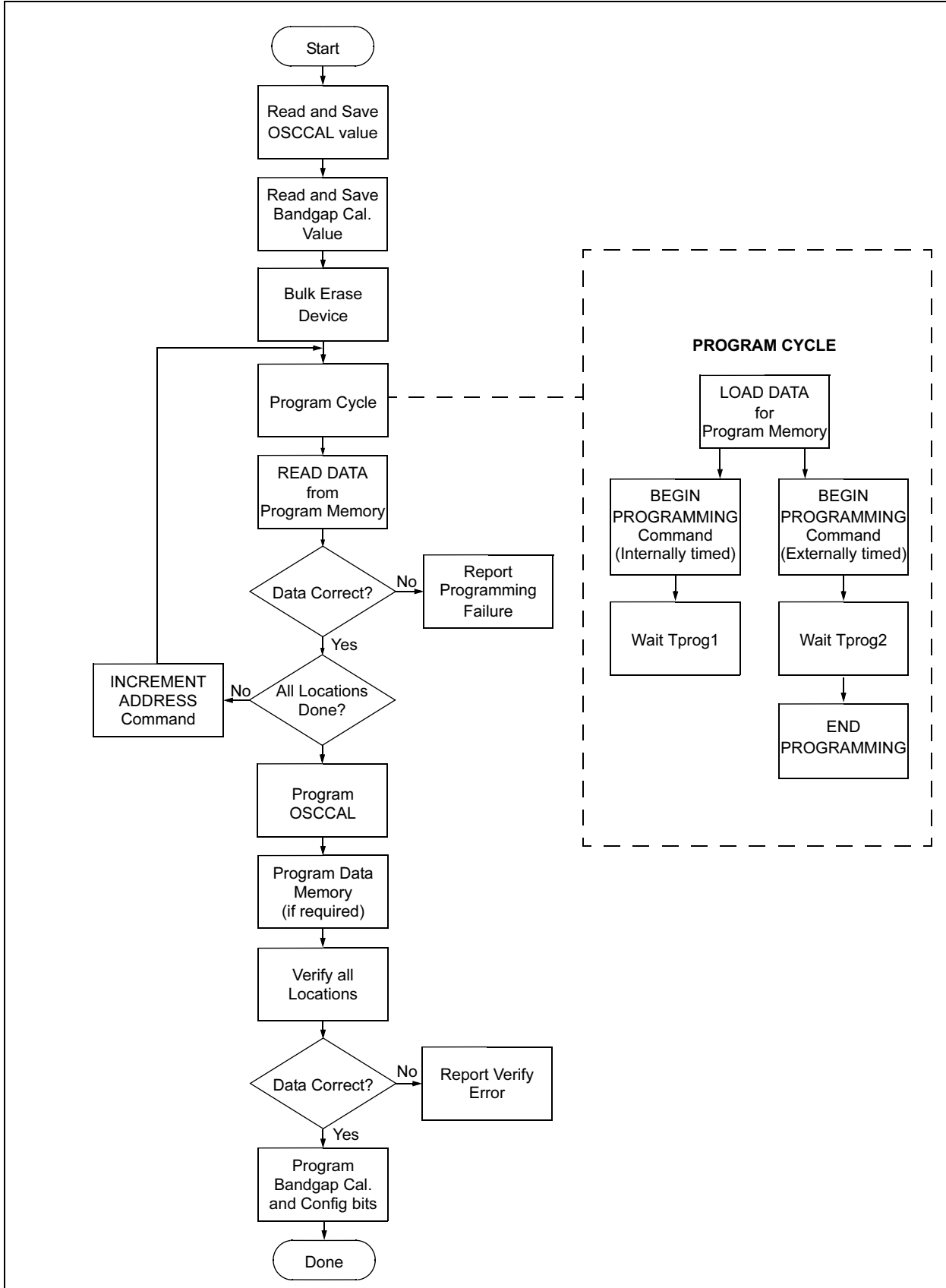
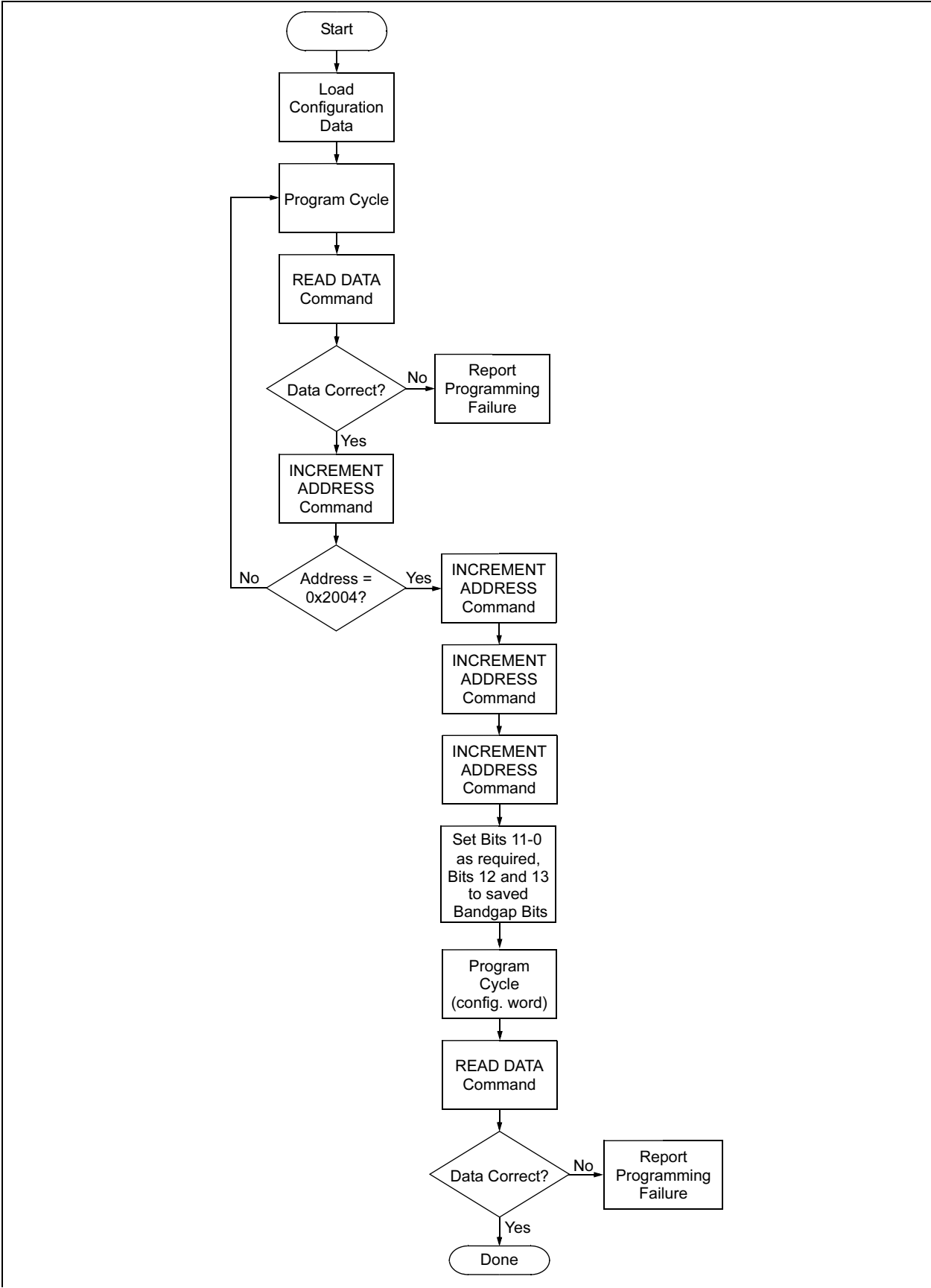


FIGURE 2-15: PROGRAM FLOW CHART - PIC16F630/676 CONFIGURATION MEMORY



PIC16F630/676

FIGURE 2-16: PROGRAM FLOW CHART - PIC16F630/676 DATA MEMORY

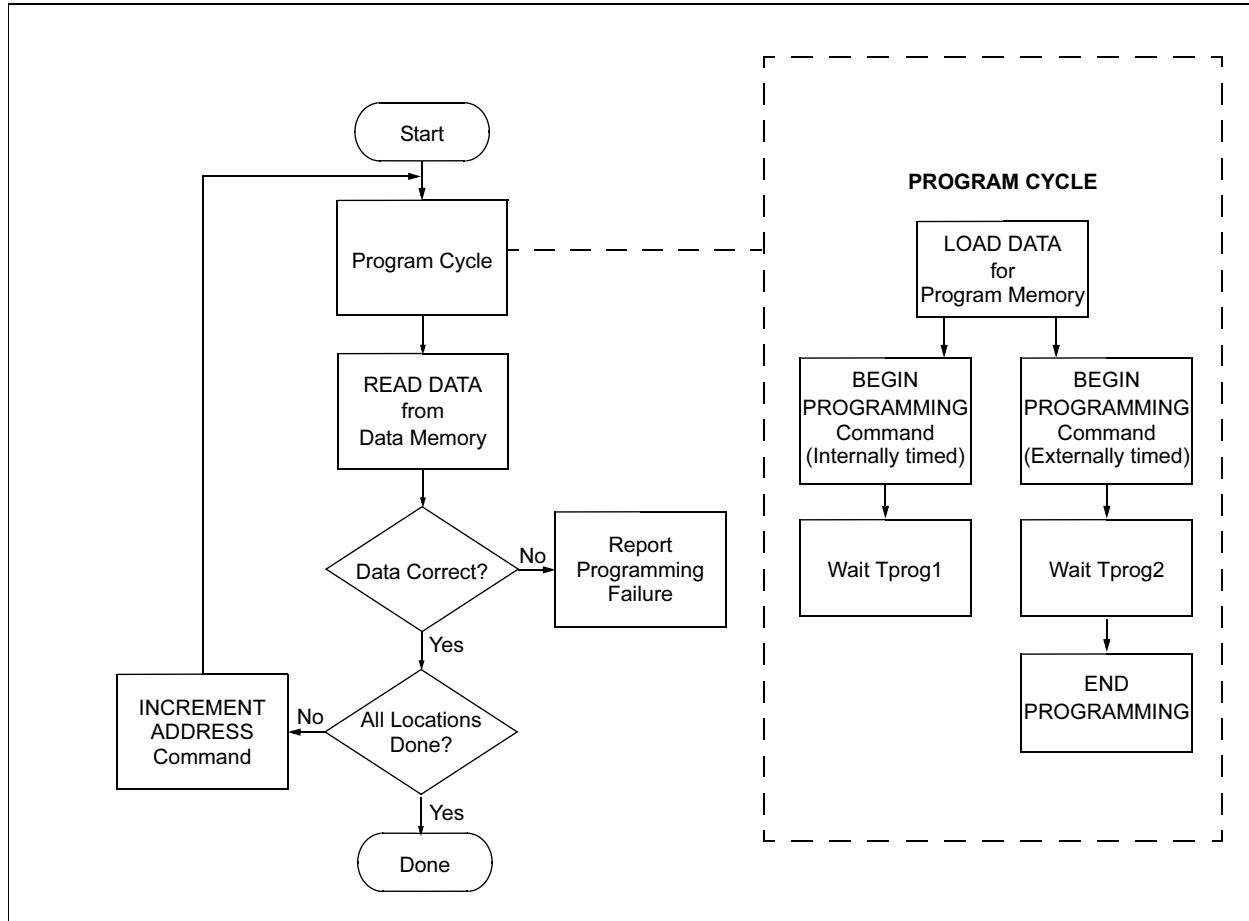
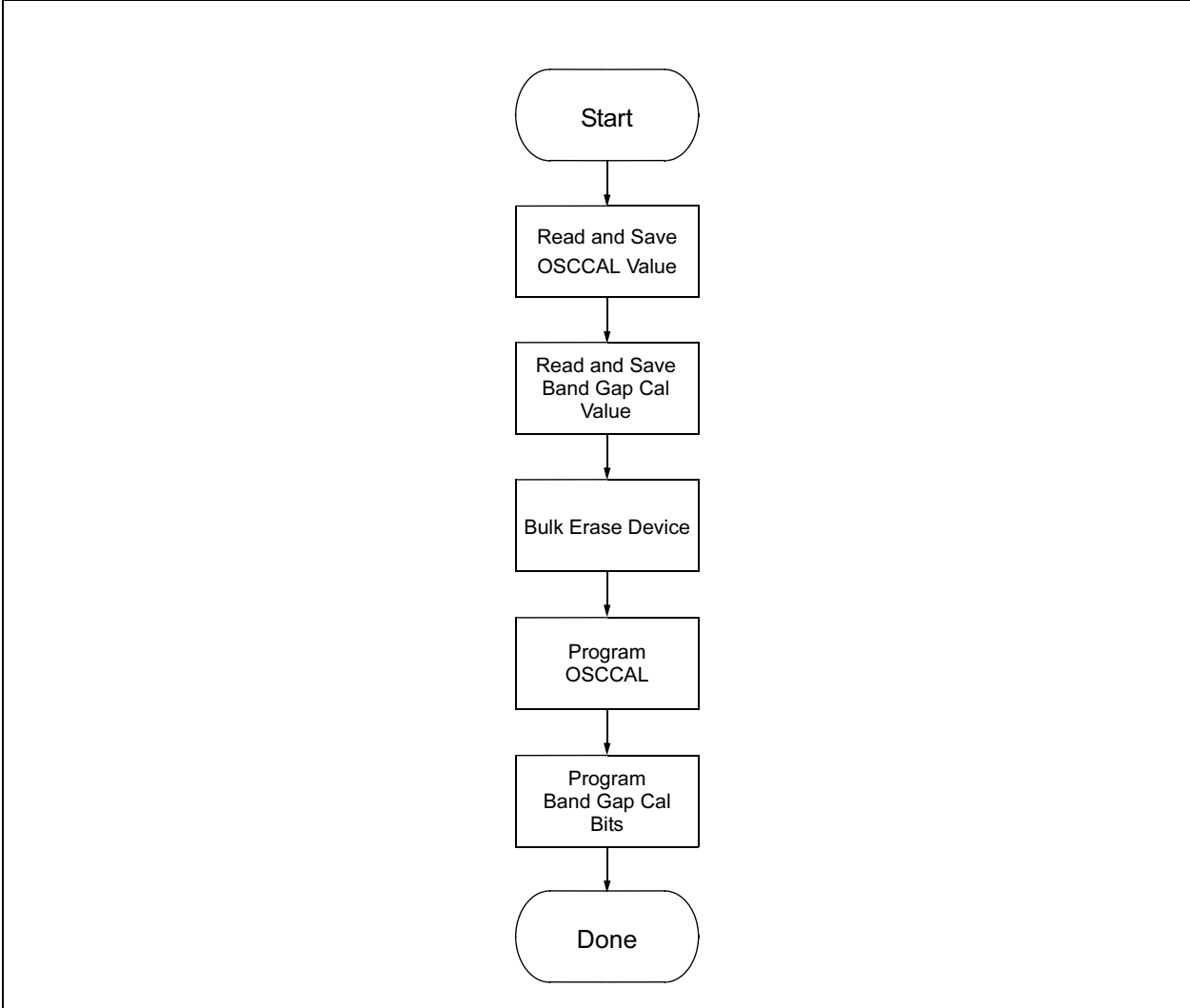


FIGURE 2-17: PROGRAM FLOW CHART - ERASE FLASH DEVICE



PIC16F630/676

3.0 CONFIGURATION WORD

The PIC16F630/676 has several configuration bits. These bits can be programmed (reads '0'), or left unchanged (reads '1'), to select various device configurations.

REGISTER 3-1: CONFIGURATION WORD

BG1	BG0	—	—	—	$\overline{\text{CPD}}$	$\overline{\text{CP}}$	BODEN	MCLRE	$\overline{\text{PWRT}}\overline{\text{E}}$	WDTE	FOSC2	FOSC1	FOSC0
bit 13													bit 0

bit 13-12: **BG<1:0>**: Bandgap Calibration bits⁽²⁾

00 = Lowest Bandgap voltage

...

11 = Highest Bandgap voltage

bit 11-9: **Unimplemented**: Read as '0'

bit 8: **CPD**: Code Protection Data

1 = Data memory is not protected

0 = Data memory is external read protected

bit 7: **CP**: Code Protection

1 = Program memory is not code protected

0 = Program memory is code protected

bit 6: **BODEN**: Brown-out Detect Reset Enable bit⁽¹⁾

1 = BOD Reset enabled

0 = BOD Reset disabled

bit 5: **MCLRE**: $\overline{\text{MCLR}}$ Pin Function Select

1 = $\overline{\text{MCLR}}$ pin is $\overline{\text{MCLR}}$ function

0 = $\overline{\text{MCLR}}$ pin is alternate function, $\overline{\text{MCLR}}$ function is internally disabled.

bit 4: **PWRT $\overline{\text{E}}$** : Power-up Timer Enable bit⁽¹⁾

1 = PWRT disabled

0 = PWRT enabled

bit 3: **WDTE**: Watchdog Timer Enable bit

1 = WDT enabled

0 = WDT disabled

bit 2-0: **FOSC<2:0>**: Oscillator Selection bits

000 = LP oscillator: Low power crystal on RA5/T1CKI/OSC1/CLKIN and RA4/T1G/OSC2/CLKOUT

001 = XT oscillator: Crystal/resonator on RA5/T1CKI/OSC1/CLKIN and RA4/T1G/OSC2/CLKOUT

010 = HS oscillator: High speed crystal/resonator on RA5/T1CKI/OSC1/CLKIN and RA4/T1G/OSC2/CLKOUT

011 = EC: I/O function on RA4/T1G/OSC2/CLKOUT, CLKIN on RA5/T1CKI/OSC1/CLKIN

100 = INTOSC oscillator: I/O function on RA4/T1G/OSC2/CLKOUT, I/O function on RA5/T1CKI/OSC1/CLKIN

101 = INTOSC oscillator: CLKOUT function on RA4/T1G/OSC2/CLKOUT, I/O function on RA5/T1CKI/OSC1/CLKIN

110 = RC oscillator: I/O function on RA4/T1G/OSC2/CLKOUT, RC on RA5/T1CKI/OSC1/CLKIN

111 = RC oscillator: CLKOUT function on RA4/T1G/OSC2/CLKOUT, RC on RA5/T1CKI/OSC1/CLKIN

Note 1: Enabling Brown-out Detect Reset Enable does not automatically enable the Power-up Timer (PWRT $\overline{\text{E}}$).

Note 2: The Bandgap Calibration bits must be read, preserved, then replaced by the user during any bulk erase operation.

Legend:

R = Readable bit

W = Writable bit

U = Unimplemented bit, read as '0'

-n = Value at POR

1 = bit is set

0 = bit is cleared

x = bit is unknown

3.1 Device ID Word

The device ID word for the PIC16F676 is located at 2006h.

TABLE 3-1: DEVICE ID VALUES

Device	Device ID Values	
	Dev	Rev
PIC16F630/676	01 0000 110	x xxxx
PIC16F676	01 0000 111	x xxxx

PIC16F630/676

4.0 CODE PROTECTION

For PIC16F630/676 devices, once code protection is enabled, all program memory locations, except 0X3FF, read all 0's. The ID locations and the configuration word read out in an unprotected fashion. Further programming is disabled for the entire program memory. Data memory is protected with its own code protect bit (CPD). It is possible to program the ID locations and the configuration word.

4.1 Disabling Code Protection

It is recommended that the following procedure be performed before any other programming is attempted. It is also possible to turn code protection off (data protect bit = 1) using this procedure. However, all data within the program memory and the data memory will be erased when this procedure is executed, and thus, the security of the data or code is not compromised.

To disable code protect:

- a) Read and store OSCCAL and BG bits.
- b) Execute Load Configuration (000000).
- c) Execute Bulk Erase Program Memory (001001).
- d) Wait Tera.
- e) Execute Bulk Erase Data Memory (001011).
- f) Wait Tera.
- g) Reset device to RESET address counter before re-programming device.
- h) Restore OSCCAL and BG bits.

Note: To ensure system security, if CPD bit = 0, step c) will also erase data memory.
--

4.2 Embedding Configuration Word and ID Information in the HEX File

<p>To allow portability of code, the programmer is required to read the configuration word and ID locations from the HEX file when loading the HEX file. If configuration word information was not present in the HEX file, then a simple warning message may be issued. Similarly, while saving a HEX file, configuration word and ID information must be included. An option to not include this information may be provided.</p>

<p>Specifically for the PIC16F630/676, the EEPROM data memory should also be embedded in the HEX file (see Section 4.3.2).</p>
--

<p>Microchip Technology Incorporated feels strongly that this feature is important for the benefit of the end customer.</p>

4.3 Checksum Computation

4.3.1 CHECKSUM

Checksum is calculated by reading the contents of the PIC16F630/676 memory locations and adding up the opcodes up to the maximum user addressable location, (e.g., 0x3FE for the PIC16F630/676). Any carry bits exceeding 16 bits are neglected. Finally, the configuration word (appropriately masked) is added to the checksum. Checksum computation for each member of the PIC16F630/676 devices is shown in Table 4-1.

The checksum is calculated by summing the following:

- The contents of all program memory locations
- The configuration word, appropriately masked
- Masked ID locations (when applicable)

The Least Significant 16 bits of this sum is the checksum.

The following table describes how to calculate the checksum for each device. Note that the checksum calculation differs depending on the code protect setting. Since the program memory locations read out differently depending on the code protect setting, the table describes how to manipulate the actual program memory values to simulate the values that would be read from a protected device. When calculating a checksum by reading a device, the entire program memory can simply be read and summed. The configuration word and ID locations can always be read.

Note: Some older devices have an additional value added in the checksum. This is to maintain compatibility with older device programmer checksums.

TABLE 4-1: CHECKSUM COMPUTATIONS

Device	Code Protect	Checksum*	Blank Value	0x25E6 at 0 and Max Address
PIC16F630/676	OFF	SUM[0x0000:0x3FE] + CFGW & 01FF	BE00	89CE
	ALL	CFGW & 0x01FF + SUM_ID	BF7F	8B4D

Legend: CFGW = Configuration Word

SUM[a:b] = [Sum of locations a to b inclusive]

SUM_ID = ID locations masked by 0xF then made into a 16-bit value with ID0 as the Most Significant nibble.

For example, ID0 = 0x1, ID1 = 0x2, ID3 = 0x3, ID4 = 0x4, then SUM_ID = 0x1234

*Checksum = [Sum of all the individual expressions] MODULO [0xFFFF]

+ = Addition

& = Bitwise AND

4.3.2 EMBEDDING DATA EEPROM CONTENTS IN HEX FILE

The programmer should be able to read data EEPROM information from a HEX file and conversely (as an option), write data EEPROM contents to a HEX file along with program memory information and fuse information.

The 128 data memory locations are logically mapped starting at address 0x2100. The format for data memory storage is one data byte per address location, LSB aligned.

PIC16F676

5.0 PROGRAM/VERIFY MODE ELECTRICAL CHARACTERISTICS

TABLE 5-1: AC/DC CHARACTERISTICS TIMING REQUIREMENTS FOR PROGRAM/VERIFY MODE

AC/DC Characteristics		Standard Operating Conditions (unless otherwise stated)				
		Operating Temperature		-40°C ≤ TA ≤ +85°C		
		Operating Voltage		4.5V ≤ VDD ≤ 5.5V		
Sym	Characteristics	Min	Typ	Max	Units	Conditions/Comments
General						
VDD	VDD level for read operations, program memory	2.0 4.5		5.5 5.5	V V	PIC16F676-ICD PIC16F630/676
	VDD level for read operations, data memory	4.5		5.5	V	
	VDD level for bulk erase/write operations, program and data memory	4.5		5.5	V	
VIHH	High voltage on $\overline{\text{MCLR}}$ for Programming mode entry	VDD + 3.5		13.5	V	
Tvhr	$\overline{\text{MCLR}}$ rise time (VSS to VHH) for Programming mode entry			1.0	μs	
Tppdp	Hold time after VPP↑	5			μs	
VIH1	(CLOCK, DATA) input high level	0.8 VDD			V	
VIL1	(CLOCK, DATA) input low level	0.2 VDD			V	
Tset0	$\overline{\text{MCLR}}$, DATA setup time before $\overline{\text{MCLR}}$ ↑ (Programming mode selection pattern setup time)	100			ns	
Thld0	CLOCK, DATA hold time after $\overline{\text{MCLR}}$ ↑ (Programming mode selection pattern setup time)	5			μs	
Serial Program/Verify						
Tset1	Data in setup time before clock↓	100			ns	
Thld1	Data in hold time after clock↓	100			ns	
Tdly1	Data input not driven to next clock input (delay required between command/data or command/command)	1.0			μs	
Tdly2	Delay between clock↓ to clock↑ of next command or data	1.0			μs	
Tdly3	Clock↑ to data out valid (during READ DATA)			80	ns	
Tera	Erase cycle time		5	6	ms	
Tprog1	Programming cycle time (internally timed)		2 5	2.5 6	ms	Program memory Data memory
Tprog2	Programming cycle time (externally timed)	2		2	ms	10°C ≤ TA ≤ +40°C Program memory
Tdis	Time delay from program to compare (HV discharge time)	0.5			μs	

Note the following details of the code protection feature on Microchip devices:

- Microchip products meet the specification contained in their particular Microchip Data Sheet.
- Microchip believes that its family of products is one of the most secure families of its kind on the market today, when used in the intended manner and under normal conditions.
- There are dishonest and possibly illegal methods used to breach the code protection feature. All of these methods, to our knowledge, require using the Microchip products in a manner outside the operating specifications contained in Microchip's Data Sheets. Most likely, the person doing so is engaged in theft of intellectual property.
- Microchip is willing to work with the customer who is concerned about the integrity of their code.
- Neither Microchip nor any other semiconductor manufacturer can guarantee the security of their code. Code protection does not mean that we are guaranteeing the product as "unbreakable."

Code protection is constantly evolving. We at Microchip are committed to continuously improving the code protection features of our products. Attempts to break microchip's code protection feature may be a violation of the Digital Millennium Copyright Act. If such acts allow unauthorized access to your software or other copyrighted work, you may have a right to sue for relief under that Act.

Information contained in this publication regarding device applications and the like is intended through suggestion only and may be superseded by updates. It is your responsibility to ensure that your application meets with your specifications. No representation or warranty is given and no liability is assumed by Microchip Technology Incorporated with respect to the accuracy or use of such information, or infringement of patents or other intellectual property rights arising from such use or otherwise. Use of Microchip's products as critical components in life support systems is not authorized except with express written approval by Microchip. No licenses are conveyed, implicitly or otherwise, under any intellectual property rights.

Trademarks

The Microchip name and logo, the Microchip logo, KEELOQ, MPLAB, PIC, PICmicro, PICSTART, PRO MATE and PowerSmart are registered trademarks of Microchip Technology Incorporated in the U.S.A. and other countries.


FilterLab, microID, MXDEV, MXLAB, PICMASTER, SEEVAL and The Embedded Control Solutions Company are registered trademarks of Microchip Technology Incorporated in the U.S.A.

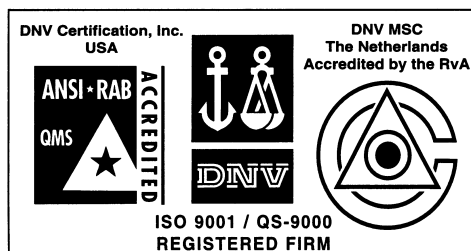
Accuron, dsPIC, dsPICDEM, dsPICDEM.net, ECONOMONITOR, FanSense, FlexROM, fuzzyLAB, In-Circuit Serial Programming, ICSP, ICEPIC, microPort, Migratable Memory, MPASM, MPLIB, MPLINK, MPSIM, PICC, PICKit, PICDEM, PICDEM.net, PowerCal, PowerInfo, PowerTool, rLAB, rPIC, Select Mode, SmartSensor, SmartShunt, SmartTel and Total Endurance are trademarks of Microchip Technology Incorporated in the U.S.A. and other countries.

Serialized Quick Turn Programming (SQTP) is a service mark of Microchip Technology Incorporated in the U.S.A.

All other trademarks mentioned herein are property of their respective companies.

© 2003, Microchip Technology Incorporated, Printed in the U.S.A., All Rights Reserved.

 Printed on recycled paper.



Microchip received QS-9000 quality system certification for its worldwide headquarters, design and wafer fabrication facilities in Chandler and Tempe, Arizona in July 1999 and Mountain View, California in March 2002. The Company's quality system processes and procedures are QS-9000 compliant for its PICmicro® 8-bit MCUs, KEELOQ® code hopping devices, Serial EEPROMs, microperipherals, non-volatile memory and analog products. In addition, Microchip's quality system for the design and manufacture of development systems is ISO 9001 certified.



MICROCHIP

WORLDWIDE SALES AND SERVICE

AMERICAS

Corporate Office

2355 West Chandler Blvd.
Chandler, AZ 85224-6199
Tel: 480-792-7200 Fax: 480-792-7277
Technical Support: 480-792-7627
Web Address: <http://www.microchip.com>

Rocky Mountain

2355 West Chandler Blvd.
Chandler, AZ 85224-6199
Tel: 480-792-7966 Fax: 480-792-4338

Atlanta

3780 Mansell Road, Suite 130
Alpharetta, GA 30022
Tel: 770-640-0034 Fax: 770-640-0307

Boston

2 Lan Drive, Suite 120
Westford, MA 01886
Tel: 978-692-3848 Fax: 978-692-3821

Chicago

333 Pierce Road, Suite 180
Itasca, IL 60143
Tel: 630-285-0071 Fax: 630-285-0075

Dallas

4570 Westgrove Drive, Suite 160
Addison, TX 75001
Tel: 972-818-7423 Fax: 972-818-2924

Detroit

Tri-Atria Office Building
32255 Northwestern Highway, Suite 190
Farmington Hills, MI 48334
Tel: 248-538-2250 Fax: 248-538-2260

Kokomo

2767 S. Albright Road
Kokomo, Indiana 46902
Tel: 765-864-8360 Fax: 765-864-8387

Los Angeles

18201 Von Karman, Suite 1090
Irvine, CA 92612
Tel: 949-263-1888 Fax: 949-263-1338

San Jose

Microchip Technology Inc.
2107 North First Street, Suite 590
San Jose, CA 95131
Tel: 408-436-7950 Fax: 408-436-7955

Toronto

6285 Northam Drive, Suite 108
Mississauga, Ontario L4V 1X5, Canada
Tel: 905-673-0699 Fax: 905-673-6509

ASIA/PACIFIC

Australia

Microchip Technology Australia Pty Ltd
Marketing Support Division
Suite 22, 41 Rawson Street
Epping 2121, NSW
Australia
Tel: 61-2-9868-6733 Fax: 61-2-9868-6755

China - Beijing

Microchip Technology Consulting (Shanghai)
Co., Ltd., Beijing Liaison Office
Unit 915
Bei Hai Wan Tai Bldg.
No. 6 Chaoyangmen Beidajie
Beijing, 100027, No. China
Tel: 86-10-85282100 Fax: 86-10-85282104

China - Chengdu

Microchip Technology Consulting (Shanghai)
Co., Ltd., Chengdu Liaison Office
Rm. 2401-2402, 24th Floor,
Ming Xing Financial Tower
No. 88 TIDU Street
Chengdu 610016, China
Tel: 86-28-86766200 Fax: 86-28-86766599

China - Fuzhou

Microchip Technology Consulting (Shanghai)
Co., Ltd., Fuzhou Liaison Office
Unit 28F, World Trade Plaza
No. 71 Wusi Road
Fuzhou 350001, China
Tel: 86-591-7503506 Fax: 86-591-7503521

China - Hong Kong SAR

Microchip Technology Hongkong Ltd.
Unit 901-6, Tower 2, Metroplaza
223 Hing Fong Road
Kwai Fong, N.T., Hong Kong
Tel: 852-2401-1200 Fax: 852-2401-3431

China - Shanghai

Microchip Technology Consulting (Shanghai)
Co., Ltd.
Room 701, Bldg. B
Far East International Plaza
No. 317 Xian Xia Road
Shanghai, 200051
Tel: 86-21-6275-5700 Fax: 86-21-6275-5060

China - Shenzhen

Microchip Technology Consulting (Shanghai)
Co., Ltd., Shenzhen Liaison Office
Rm. 1812, 18/F, Building A, United Plaza
No. 5022 Binhe Road, Futian District
Shenzhen 518033, China
Tel: 86-755-82901380 Fax: 86-755-82966626

China - Qingdao

Rm. B505A, Fullhope Plaza,
No. 12 Hong Kong Central Rd.
Qingdao 266071, China
Tel: 86-532-5027355 Fax: 86-532-5027205

India

Microchip Technology Inc.
India Liaison Office
Marketing Support Division
Divyasree Chambers
1 Floor, Wing A (A3/A4)
No. 11, O'Shaughnessey Road
Bangalore, 560 025, India
Tel: 91-80-2290061 Fax: 91-80-2290062

Japan

Microchip Technology Japan K.K.
Benex S-1 6F
3-18-20, Shinyokohama
Kohoku-Ku, Yokohama-shi
Kanagawa, 222-0033, Japan
Tel: 81-45-471-6166 Fax: 81-45-471-6122

Korea

Microchip Technology Korea
168-1, Youngbo Bldg. 3 Floor
Samsung-Dong, Kangnam-Ku
Seoul, Korea 135-882
Tel: 82-2-554-7200 Fax: 82-2-558-5934

Singapore

Microchip Technology Singapore Pte Ltd.
200 Middle Road
#07-02 Prime Centre
Singapore, 188980
Tel: 65-6334-8870 Fax: 65-6334-8850

Taiwan

Microchip Technology (Barbados) Inc.,
Taiwan Branch
11F-3, No. 207
Tung Hua North Road
Taipei, 105, Taiwan
Tel: 886-2-2717-7175 Fax: 886-2-2545-0139

EUROPE

Austria

Microchip Technology Austria GmbH
Durisolstrasse 2
A-4600 Wels
Austria
Tel: 43-7242-2244-399
Fax: 43-7242-2244-393

Denmark

Microchip Technology Nordic ApS
Regus Business Centre
Lautrup høj 1-3
Ballerup DK-2750 Denmark
Tel: 45 4420 9895 Fax: 45 4420 9910

France

Microchip Technology SARL
Parc d'Activite du Moulin de Massy
43 Rue du Saule Trapu
Batiment A - 1er Etage
91300 Massy, France
Tel: 33-1-69-53-63-20 Fax: 33-1-69-30-90-79

Germany

Microchip Technology GmbH
Steinheilstrasse 10
D-85737 Ismaning, Germany
Tel: 49-089-627-144-100
Fax: 49-089-627-144-44

Italy

Microchip Technology SRL
Via Quasimodo, 12
20025 Legnano (MI)
Milan, Italy
Tel: 39-0331-742611 Fax: 39-0331-466781

United Kingdom

Microchip Ltd.
505 Eskdale Road
Winnersh Triangle
Wokingham
Berkshire, England RG41 5TU
Tel: 44 118 921 5869 Fax: 44-118 921-5820

02/12/03